

**Discontinuation Notice of NT31/31C Programmable Terminal.****Product Discontinuation**

Programmable Terminal

**Model NT31-ST123(B)-(E)V3  
Model NT31C-ST143(B)-(E)V3****Recommended Replacement**

Programmable Terminal

**Model NS5-SQ10(B)-V2****[ Discontinuation date ]**

The end of March, 2014

**[ Caution on recommended replacement ]**

NT31/31C programmable terminal will be discontinued to manufacture and integrated to NS5 programmable terminal due to discontinuation of important electric parts for NT31/31C series. Hardware specification of NS5 is the same or upper compatible as NT31/31C. But I/F for outside, Software and host communication are different in some parts. Though the ladder program and screen project data made by customer may be able to be converted or reused by using CX-D ( NT compatible mode) or NT-NS screen data conversion utility but the customer should be tested before running at replaced system.

For more details, please refer "The NT31/NT31C Renewal and Replacement guide".

**[ Difference from discontinued product ]**

Recommended replacement Model	Body Color	Dimensions	Wire connection	Mounting Dimensions	Characteristics	Operation ratings	Operation methods
NS5-SQ10(B)-V2	**	*	*	**	*	*	*

\*\* : Compatible

\* : The change is a little/Almost compatible

-- : Not compatible

- : No corresponding specification

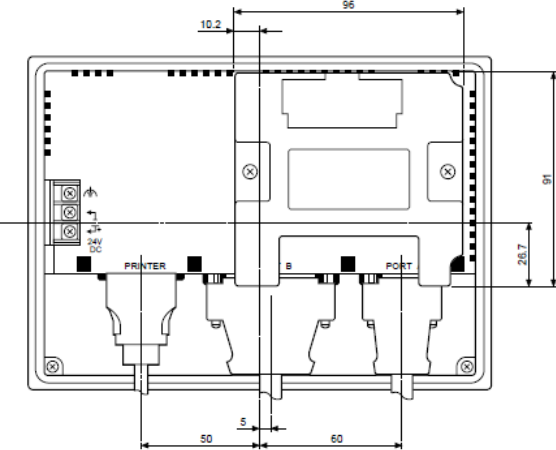
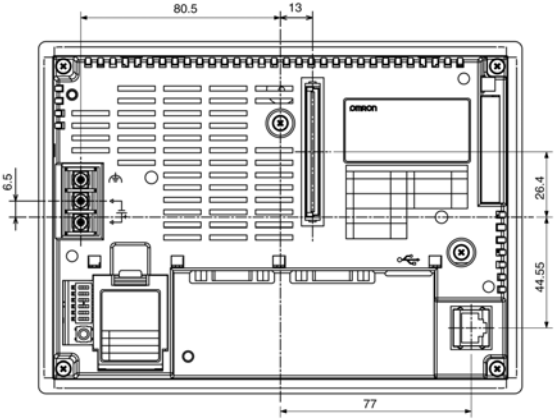
**[ Product Discontinuation and recommended replacement ]**

Product discontinuation	Recommended replacement
NT31-ST123-EV3	NS5-SQ10-V2
NT31-ST123-V3	NS5-SQ10-V2
NT31-ST123B-EV3	NS5-SQ10B-V2
NT31-ST123B-V3	NS5-SQ10B-V2
NT31C-ST143-EV3	NS5-SQ10-V2
NT31C-ST143-V3	NS5-SQ10-V2
NT31C-ST143B-EV3	NS5-SQ10B-V2
NT31C-ST143B-V3	NS5-SQ10B-V2

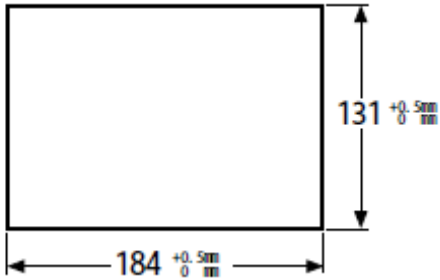
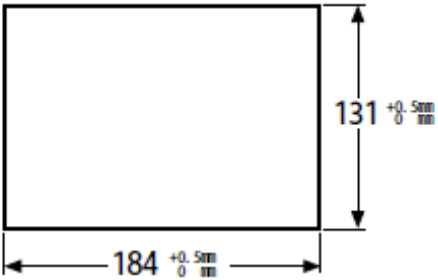
[ Body color ]

Product discontinuation Model NT31/31C	Recommendable replacement Model NS5-SQ10(B)-V2
Ivory: NT31-ST123-(E)V3/ NT31C-ST143-(E)V3 Black: NT31-ST123B-(E)V3/ NT31C-ST143B-(E)V3	Ivory: NS5-SQ10-V2 Brack: NS5-SQ10B-V2

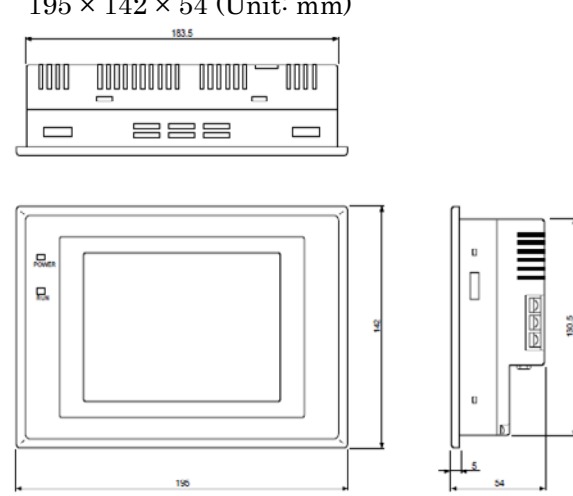
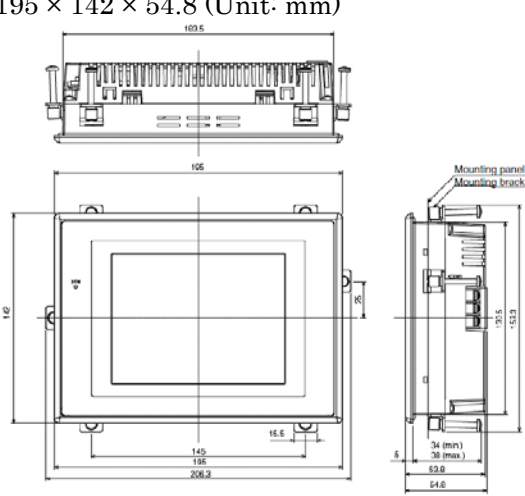
[ Wire connection ]

Product discontinuation Model NT31/31C	Recommendable replacement Model NS5-SQ10(B)-V2
<p><b>NT31/31C</b> Unit: mm (with Memory Unit)</p>  <p>Dimensions: 96 (total width), 10.2 (offset), 59 (height), 26.7 (height), 50 (width), 5 (offset), 60 (width).</p> <p>Labels: PRINTER, PORT.</p>	<p><b>NS5</b> Unit: mm</p>  <p>Dimensions: 80.5 (width), 13 (width), 6.5 (height), 26.4 (height), 44.55 (height), 77 (width).</p> <p>Label: OMRON.</p>

[ Mounting dimensions ]

Product discontinuation Model NT31/31C	Recommendable replacement Model NS5-SQ10(B)-V2
<p><b>NT31/31C</b> 184mm × 131 mm</p>  <p>Dimensions: 184 mm (width), 131 mm (height).</p>	<p><b>NS5</b> 184mm × 131 mm</p>  <p>Dimensions: 184 mm (width), 131 mm (height).</p>

[ Dimensions ]

Product discontinuation Model NT31/31C	Recommendable replacement Model NS5-SQ10(B)-V2
<p><b>NT31/31C</b> 195 × 142 × 54 (Unit: mm)</p> 	<p><b>NS5</b> 195 × 142 × 54.8 (Unit: mm)</p> 

[ Characteristics ]

Item	Product discontinuation Model NT31/31C	Recommendable replacement Model NS5
<b>Rated power supply voltage</b>	15 W max.	15 W max.
<b>Display device</b>	Mono (NT31) / Color (NT31C) STNLC	Color TFTLCD
<b>Screen resolution</b>	320 × 240 (QVGA)	320 × 240 (QVGA)
<b>Display colors</b>	2 (NT31) / 16 (NT31C)	256
<b>Support tool (design software)</b>	NT series support tool (NTST)	CX-Designer (CX-D)
<b>External I/F</b>	Port A/B (serial), Printer, Extended I/F	Port A/B (serial), USB, Extended I/F, CF I/F
<b>External memory device</b>	NT-MF261, memory unit for NT series	Compact Flash card
<b>Backlight Service Life</b>	50,000 hrs. min.	75,000 hrs. min.
<b>Ambient operating temperature</b>	0 to 50 °C	0 to 50 °C
<b>Communication method (Omron)</b>	Host link, NT link (1:1, 1:N), Memory link (for NT)	Host link, NT link (1:1, 1:N), Memory link (for NS)
<b>Communication method (Others)</b>	AB, GE, Modicon, Siemens, Mitsubishi and Device Net	Rockwell (AB), Siemens, Mitsubishi, Yaskawa, Modbus

For more details, please refer “The NT31/NT31C Renewal and Replacement guide”.

Specifications and prices in this product news are as of the issue date and are subject to change without notice. Only main changes in specifications are described in this document. Please be sure to read the relevant catalogs, datasheets, product specifications, instructions, and manuals for precautions and necessary information when using products.