

**Discontinuation Notice of DeviceNet Communication Board /
Model 3G3RV-PDRT2****Product Discontinuation**

DeviceNet Communication Unit

**Model 3G3RV-PDRT2****Recommended Replacement**

DeviceNet Communication Unit

**Model 3G3AX-RX-DRT-E****[Discontinuation date]**

The end of October, 2013

[Caution on recommended replacement]

Model 3G3AX-RX-DRT-E can be used with inverter model 3G3RX-V1 series for DeviceNet. Not applied to the combination with other inverters.

[Difference from discontinued product]

Recommended replacement Model	Body Color	Dimensions	Wire connection	Mounting Dimensions	Characteristics	Operation ratings	Operation methods
Model 3G3AX-RX-DRT-E	--	--	--	--	*	*	--

** : Fully compatible

* : The change is a little/Almost compatible

-- : Not compatible

- : No corresponding specification

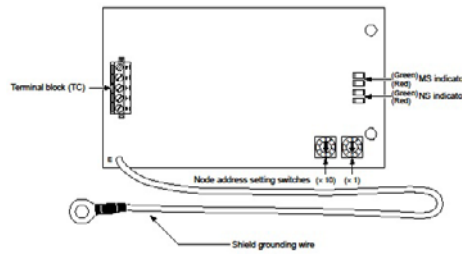
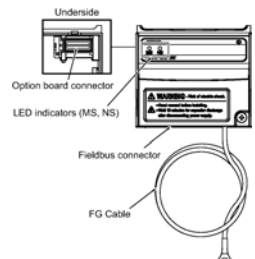
[Product Discontinuation and recommended replacement]

Product discontinuation	Recommended replacement
Model 3G3RV-PDRT2	3G3AX-RX-DRT-E

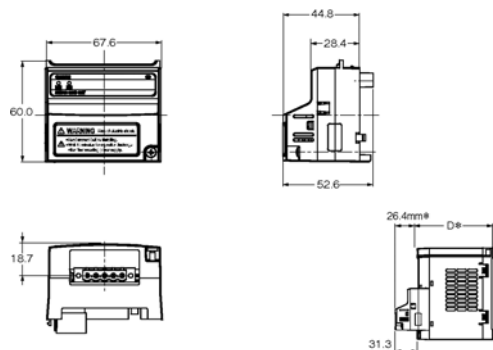
[Body color]

Product discontinuation Model 3G3RV-PDRT2	Recommendable replacement Model 3G3AX-RX-DRT-E
Board inserted to 3G3RV-V1 series inverter	Black

[Wire connection]

Product discontinuation Model 3G3RV-PDRT2	Recommendable replacement Model 3G3AX-RX-DRT-E
	

[Mounting dimensions/Dimensions]

Product discontinuation Model 3G3EV-PDRT2	Recommendable replacement Model 3G3AX-RX-DRT-E
<p>Board inserted to 3G3RV-V1 series inverters</p>	

[Specifications]

Item	Product discontinuation Model 3G3RV-PDRT2	Recommendable replacement Model 3G3AX-RX-DRT-E
Power Supply	Supplier from inverter 3G3RV	Supplier from inverter 3G3RX
Protective Structure	--	IP20
Ambient Operating temperature	-10 to 45 degrees (with no condensation)	-10 to 50 degrees (with no condensation)
Ambient Storage Temperature	-20 to 60 degrees (with no condensation)	-20 to 65 degrees (with no condensation)
Ambient Operating Humidity	90%RH Max.	20 to 90%RH
Weight	Approx.50g	Approx.170g

[DeviceNet Communications Specifications]

Item	Product discontinuation Model 3G3RV-PDRT2	Recommendable replacement Model 3G3AX-RX-DRT-E
Supported Connections	Remote I/O: Master-Slave connection Poll Bitstrobe Change of State Cyclic Explicit Messages Conform to DeviceNet specifications	Remote I/O: Master-Slave connection Poll Bitstrobe Change of State Cyclic Explicit Messages Conform to DeviceNet specifications
Communication Power Supply	11 to 25VDC	11 to 25VDC
Baud rates supporter	120, 250, 500kbps	120, 250, 500kbps

[Operation methods]

Product discontinuation Model 3G3RV-PDRT2	Recommendable replacement Model 3G3AX-RX-DRT-E
Please refer to English manual (I539-E1)	Please refer to English manual (I581-E1)

As of November, 2012

In the interest of product improvement, specifications are subject to change without notice.