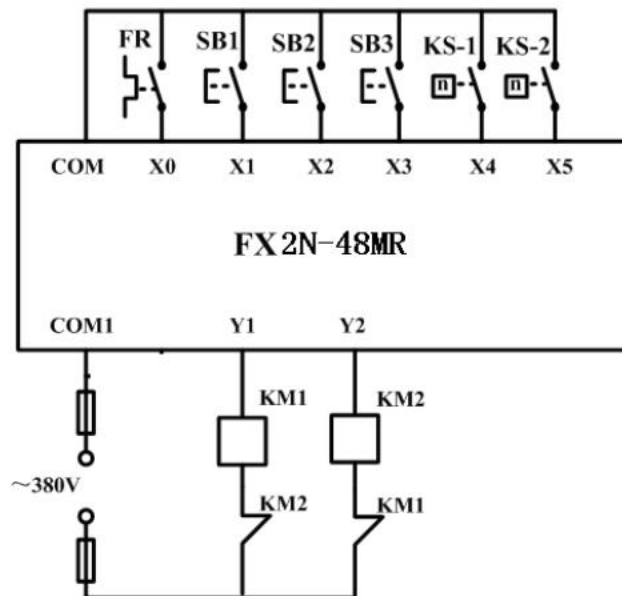


## 三相异步电动机双重联锁正反转启动反接制动

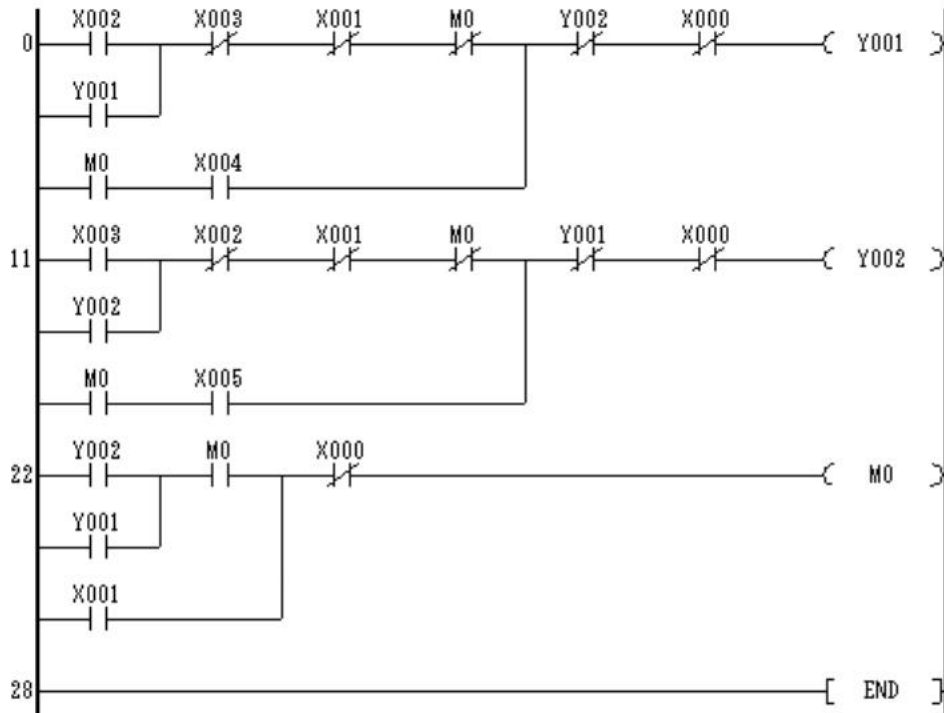
### 1. I/O 口元件地址分配:

- X0: FR 常开
- X1: SB1 停止按钮
- X2: SB2 正转启动按钮
- X3: SB3 反转启动按钮
- X4: KS-1
- X5: KS-2
- Y1: 正转交流接触器 KM1 线圈
- Y2: 反转交流接触器 KM2 线圈

### 2. PLC 接线图:



### 3. PLC 梯形图:



#### 4. PLC 指令:

0	LD	X002			
1	OR	Y001	15	ANI	M0
2	ANI	X003	16	LD	M0
3	ANI	X001	17	AND	X005
4	ANI	M0	18	ORB	
5	LD	M0	19	ANI	Y001
6	AND	X004	20	ANI	X000
7	ORB		21	OUT	Y002
8	ANI	Y002	22	LD	Y002
9	ANI	X000	23	OR	Y001
10	OUT	Y001	24	AND	M0
11	LD	X003	25	OR	X001
12	OR	Y002	26	ANI	X000
13	ANI	X002	27	OUT	M0
14	ANI	X001	28	END	