

Instruction manual on Q7BAT-SET Battery

This instruction manual explains specifications and handling instructions on the Q7BAT-SET battery for MELSEC-Q series CPU modules.

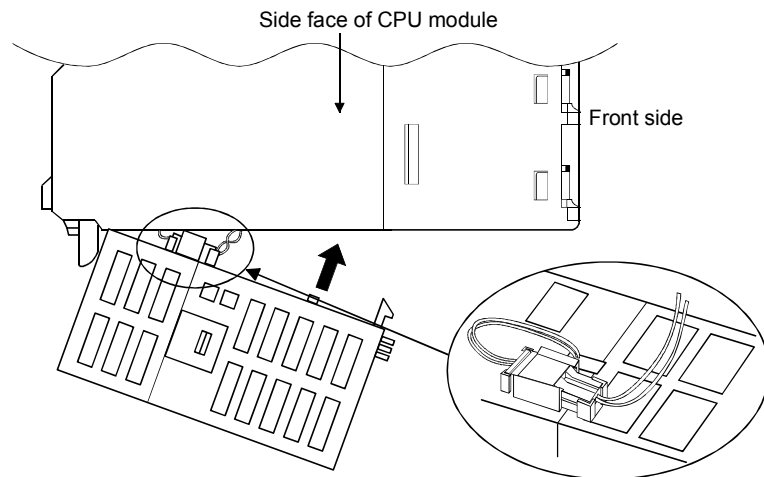
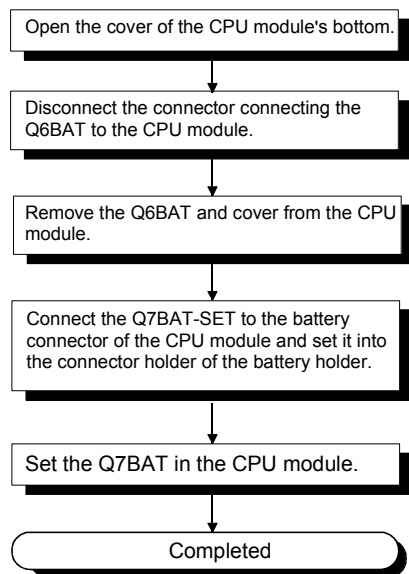
1. Specifications

Item	Specification
Battery type	Lithium/Manganese dioxide primary battery
Initial voltage	3.0V
Nominal current	5000mAh
Storage life	5 years
Application	Retention of the following memory in the event of power failure: Program memory, standard RAM and latch device
Dimensions	30mm (H) x 27.4mm (W) x 60mm (D)

For the retention time at the event of power failure, refer to the user's manual of your CPU module.

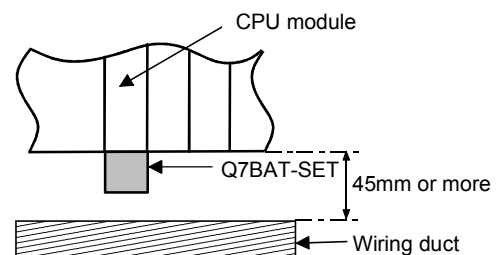
2. Setting procedure of Q7BAT-SET

Set the Q7BAT-SET in the CPU module in the following procedures.



3. Precautions for Setting of Q7BAT-SET

When setting the Q7BAT-SET in a CPU module, make sure of a distance of at least 45mm between the bottom of the CPU module and other structure such as a wiring duct.



4. Battery Replacement

When the Q7BAT battery comes to the end of the life, replace the battery in the battery holder.

The PLC power needs to be ON for 10 minutes or longer prior to battery removal.

Make sure to complete the battery replacement within 3 minutes. Failure to do so may delete the data in memory, although it includes a condenser to back up the memory for a while without battery.

When the MELSEC-Q series is used as a UL-certificated product, the Q7BAT battery replacement must be done by service personnel. The service personnel are defined as experienced technicians who have been sufficiently educated and trained, and are capable of perceiving and avoiding operational hazard.

5. Disposal of batteries

When disposing of batteries, separate them from other wastes according to the local regulations. (For details of the battery directive in EU member states, refer to the user's manual for the CPU module used.)

6. Transportation precautions

As they include lithium, the Q7BAT-SET and Q7BAT must be treated as Class 9 dangerous goods during transportation. Prior to shipment, Mitsubishi packs products properly in order to ensure safety. However, when transporting the products, which are unpacked once or repacked after purchase, make sure to observe the dangerous goods regulations of the country as well as IATA Dangerous Goods Regulations and IMDG code. Also, consult and determine the details with the transportation company.

This instruction manual is made of recycled paper.