

OMRON

形 E6C3-CWZ□□H

ロータリエンコーダ

取扱説明書

このたびは、本製品をお買い上げいただきまして、まことにありがとうございます。ご使用に際しては、次の内容をお守りください。

・電気の知識を有する専門家がお取り扱いください。

・この取扱説明書をよくお読みになり、十分にご理解のうえ、正しくご使用ください。

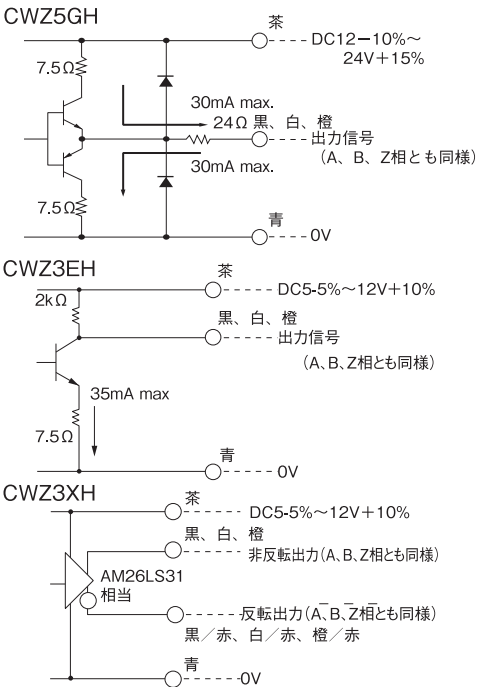
・この取扱説明書はいつでも参照できるよう大切に保管してください。

オムロン株式会社



© OMRON Corporation 2002 All Rights Reserved.

出力段回路図



安全上の要点

- (1) 定格電圧を超えて、使用しないでください。定格電圧範囲以上の電圧を印加すると、破裂したり、焼損したりするおそれがあります。

使用上の注意

- (1) 本製品は精密品で構成されていますので取扱いには十分注意してください。
- (2) 製品には長時間、水や油がつかからないようにしてください。

種類と定格

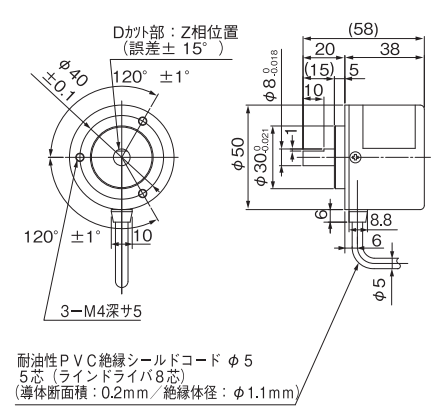
Table with specifications for E6C3-CWZ5GH, E6C3-CWZ3EH, and E6C3-CWZ3XH models, including supply voltage, current consumption, and output capacity.

接続

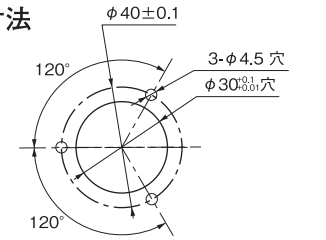
外部接続時には誤配線のないように注意してください。

Connection table showing terminal colors (茶, 黒, 白, 橙, 青) and their corresponding output functions (電源, 出力A, 出力B, 出力Z, 出力A-bar, 出力B-bar, 出力Z-bar).

外形寸法図



取付寸法



ご使用に際してのご承諾事項

- ①安全を確保する目的で直接的または間接的に人体を検出する用途に、本製品を使用しないでください。
- ②下記用途に使用される場合、当社営業担当者までご相談のうえ仕様書などにより確認いただくとともに、定格・性能に対し余裕を持った使い方や、万一故障があっても危険を最小にする安全回路などの安全対策を講じてください。

オムロン株式会社

Contact information for OMRON Corporation, including phone numbers (0120-919-066, 055-982-5015), fax numbers, and website information.

OMRON

Model E6C3-CWZ□□H

ROTARY ENCODER

INSTRUCTION SHEET

Thank you for selecting OMRON product. This sheet primarily describes precautions required in installing and operating the product.

Before operating the product, read the sheet thoroughly to acquire sufficient knowledge of the product. For your convenience, keep the sheet at your disposal.

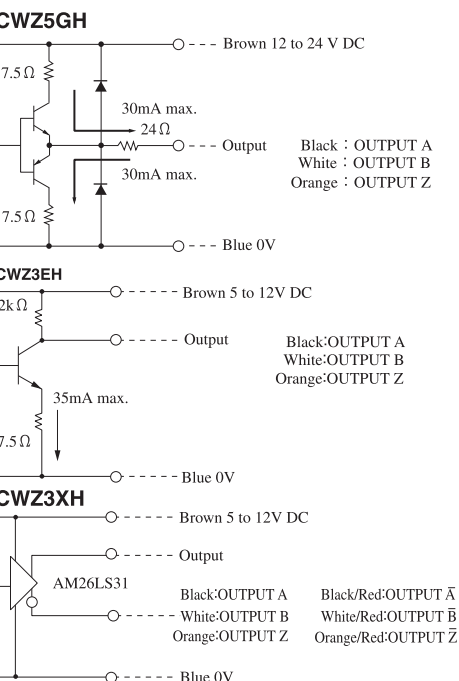
TRACEABILITY INFORMATION:

Representative in EU: Omron Europe B.V. Manufacturer: Omron Corporation, Shiohori Horikawa, Shimogyo-ku, Kyoto 600-8530 JAPAN

The following notice applies only to products that carry the CE mark: Notice: This is a class A product. In residential areas it may cause radio interference, in which case the user may be required to take adequate measures to reduce interference.

© OMRON Corporation 2002 All Rights Reserved.

OUTPUT CIRCUIT DIAGRAM



Precautions for Safe Use

- (1) Do not use the product in excess of the rated voltage. Applying voltage beyond the rated voltage range may cause the product to break or burn.
- (2) Avoid wiring the product's cables parallel to power lines or high-voltage lines.

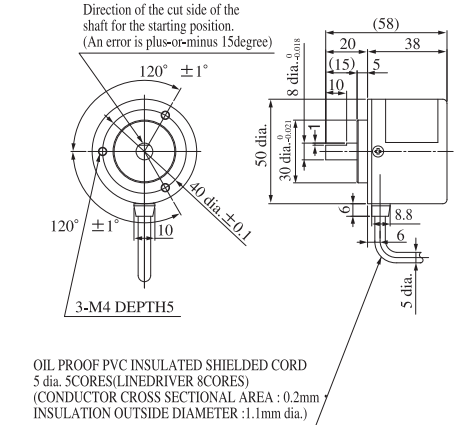
Precautions for Safe Use

- (1) Since the product consists of high-precision components, handle it with utmost care.
- (2) Be careful not to expose the product to water or oil, for a long time.
- (3) Be careful when wiring, such as being careful with the polarities of the power supply.

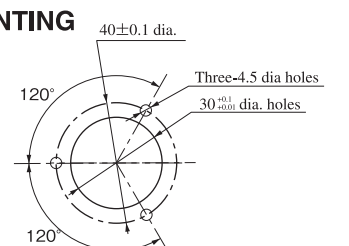
RATING

Rating table for E6C3-CWZ5GH, E6C3-CWZ3EH, and E6C3-CWZ3XH models, listing supply voltage, current consumption, output capacity, and environmental conditions.

OUTLINE DRAWING



MOUNTING



Suitability for Use

THE PRODUCTS CONTAINED IN THIS SHEET ARE NOT SAFETY RATED. THEY ARE NOT DESIGNED OR RATED FOR ENSURING SAFETY OF PERSONS, AND SHOULD NOT BE RELIED UPON AS A SAFETY COMPONENT OR PROTECTIVE DEVICE FOR SUCH PURPOSES.

OMRON shall not be responsible for conformity with any standards, codes, or regulations that apply to the combination of the products in the customer's application or use of the product.

Take all necessary steps to determine the suitability of the product for the systems, machines, and equipment with which it will be used. Know and observe all prohibitions of use applicable to this product.

NEVER USE THE PRODUCTS FOR AN APPLICATION INVOLVING SERIOUS RISK TO LIFE OR PROPERTY WITHOUT ENSURING THAT THE SYSTEM AS A WHOLE HAS BEEN DESIGNED TO ADDRESS THE RISKS, AND THAT THE OMRON PRODUCT IS PROPERLY RATED AND INSTALLED FOR THE INTENDED USE WITHIN THE OVERALL EQUIPMENT OR SYSTEM.

Contact information for OMRON Corporation in Europe, North America, Asia-Pacific, and China, including addresses and phone numbers.