

XW2Z

Connect Connector-Terminal Block Conversion Units (XW2□) to I/O Units for Programmable Controllers with one touch.



Shielded

Ordering Information

For 32-point, Connector-type I/O Units for Programmable Controllers

XW2Z-□□□A

(For XW2D-20G6/XW2B-20G□/-40G5-T/-20G5-D/
XW2C-20G5-IN16/20G6-IO16/XW2E-20G5-IN16/
XW2F-20G7-IN16/-OUT16/XW2N-20G8-IN16)

Cable length L (m) *	Model
0.5	XW2Z-050A
1.0	XW2Z-100A
1.5	XW2Z-150A
2.0	XW2Z-200A
3.0	XW2Z-300A
5.0	XW2Z-500A
10.0	XW2Z-010A
15.0	XW2Z-15MA
20.0	XW2Z-20MA

XW2Z-□□□AU (For XW2D-20C6)

Cable length L (m) *	Model
0.5	XW2Z-050AU
1.0	XW2Z-100AU
1.5	XW2Z-150AU
2.0	XW2Z-200AU
3.0	XW2Z-300AU
5.0	XW2Z-500AU

*Cable length L (m)

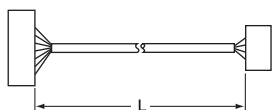


For 32-point, Connector-type I/O Units (Group 2) for Programmable Controllers For 64-point, Connector-type I/O Units for Programmable Controllers

XW2Z-□□□□B (For XW2D-40G6/XW2B-40G□)

Type	Cable length L (m) *	Model
Normal wiring	0.5	XW2Z-050B
	1.0	XW2Z-100B
	1.5	XW2Z-150B
	2.0	XW2Z-200B
	3.0	XW2Z-300B
	5.0	XW2Z-500B
	10.0	XW2Z-010B
	15.0	XW2Z-15MB
Reverse wiring	0.5	XW2Z-050B-R1
	1.0	XW2Z-100B-R1
	1.5	XW2Z-150B-R1
	2.0	XW2Z-200B-R1
	3.0	XW2Z-300B-R1
	5.0	XW2Z-500B-R1

*Cable length L (m)



XW2Z-□□□□BU (For XW2D-40C6)

Type	Cable length L (m) *	Model
Normal wiring	0.5	XW2Z-050BU
	1.0	XW2Z-100BU
	1.5	XW2Z-150BU
	2.0	XW2Z-200BU
	3.0	XW2Z-300BU
	5.0	XW2Z-500BU

XW2Z-□□□□B-A (For XW2F-40G7-IN32)

Type	Cable length L (m) *	Model
Normal wiring	1.0	XW2Z-100B-A
	1.5	XW2Z-150B-A
	2.0	XW2Z-200B-A
	3.0	XW2Z-300B-A
	5.0	XW2Z-500B-A

XW2Z-□□□□B-B (For XW2F-40G7-OUT32)

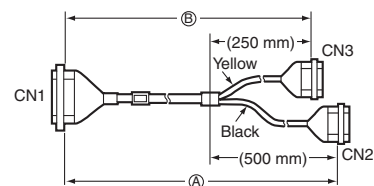
Type	Cable length L (m) *	Model
Normal wiring	1.0	XW2Z-100B-B
	1.5	XW2Z-150B-B
	2.0	XW2Z-200B-B
	3.0	XW2Z-300B-B
	5.0	XW2Z-500B-B

For 32-point, Connector-type Input Units (Group 2) for Programmable Controllers For 64-point, Connector-type Input Units for Programmable Controllers

XW2Z-□□□□D

Cable length L (m) *		Model
(A)	(B)	
1.0	0.75	XW2Z-100D
1.5	1.25	XW2Z-150D
2.0	1.75	XW2Z-200D
3.0	2.75	XW2Z-300D
5.0	4.75	XW2Z-500D
10.0	9.75	XW2Z-010D
15.0	14.75	XW2Z-15MD
20.0	19.75	XW2Z-20MD

*Cable length L (m)

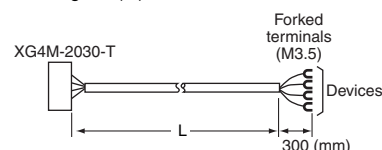


20-pole Cable with Discrete-wire Press-fit Terminals

XW2Z-□□□□F

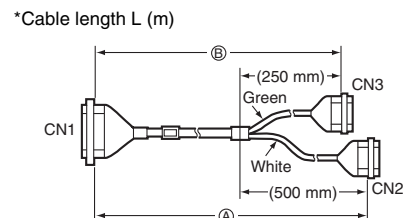
Cable length L (m) *	Model
1.0	XW2Z-100F
1.5	XW2Z-150F
2.0	XW2Z-200F
3.0	XW2Z-300F
5.0	XW2Z-500F
10.0	XW2Z-010F
15.0	XW2Z-15MF
20.0	XW2Z-20MF

*Cable length L (m)



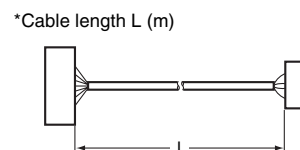
For 32-point, Connector-type Output Units (Group 2) for Programmable Controllers For 64-point, Connector-type Output Units for Programmable Controllers XW2Z-□□□L

Cable length L (m) *		Model
(A)	(B)	
1.0	0.75	XW2Z-100L
1.5	1.25	XW2Z-150L
2.0	1.75	XW2Z-200L
3.0	2.75	XW2Z-300L
5.0	4.75	XW2Z-500L
10.0	9.75	XW2Z-010L
15.0	14.75	XW2Z-15ML
20.0	19.75	XW2Z-20ML



For 96-point, Connector-type I/O Units for Programmable Controllers XW2Z-□□□H-1 (For CS1-series I/O Unit Connection)

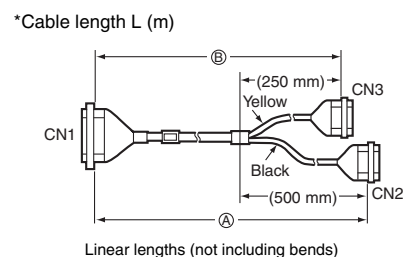
Special Connecting Cables *		Model
Cable length L (m)		
0.5		XW2Z-050H-1
1.0		XW2Z-100H-1
1.5		XW2Z-150H-1
2.0		XW2Z-200H-1
3.0		XW2Z-300H-1
5.0		XW2Z-500H-1
7.0		XW2Z-700H-1
10.0		XW2Z-010H-1
1.0		XW2Z-100H-1G
1.5		XW2Z-150H-1G
2.0		XW2Z-200H-1G
3.0		XW2Z-300H-1G
5.0		XW2Z-500H-1G



*Up to two cables required for each Programmable Controller I/O Unit.
Note: CS1 signal names connected to the XW2B/D are different for the XW2Z-□□□H-□ and the XW2Z-□□□H-□G.
Refer to the I/O Signal Tables on page 9.

XW2Z-□□□H-2 (For CS1-series I/O Unit Connection)

Special Connecting Cables *		Model
Cable length L (m)		
(A)	(B)	
1.0	0.75	XW2Z-100H-2
1.5	1.25	XW2Z-150H-2
2.0	1.75	XW2Z-200H-2
3.0	2.75	XW2Z-300H-2
5.0	4.75	XW2Z-500H-2
10.0	9.75	XW2Z-010H-2
1.0	0.75	XW2Z-100H-2G
1.5	1.25	XW2Z-150H-2G
2.0	1.75	XW2Z-200H-2G
3.0	2.75	XW2Z-300H-2G
5.0	4.75	XW2Z-500H-2G



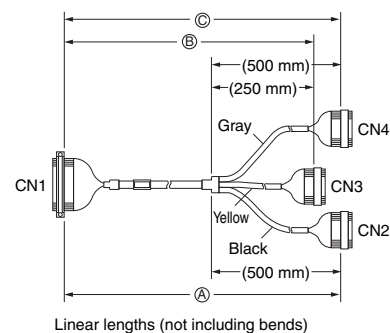
*Up to two cables required for each Programmable Controller I/O Unit.
Note: CS1 signal names connected to the XW2B/D are different for the XW2Z-□□□H-□ and the XW2Z-□□□H-□G.
Refer to the I/O Signal Tables on page 9.

XW2Z-□□□H-3 (For CS1-series I/O Unit Connection)

Special Connecting Cables *			
Cable length L (m)			Model
A	B	C	
1.0	0.75	1.0	XW2Z-100H-3
1.5	1.25	1.5	XW2Z-150H-3
2.0	1.75	2.0	XW2Z-200H-3
3.0	2.75	3.0	XW2Z-300H-3
5.0	4.75	5.0	XW2Z-500H-3
10.0	9.75	10.0	XW2Z-010H-3

*Up to two cables required for each Programmable Controller I/O Unit.

*Cable length L (m)



For 32-point, MIL Connector-type I/O Units for Programmable Controllers

XW2Z-□□□K

Cable length L (m) *	Model
0.25	XW2Z-C25K
0.5	XW2Z-C50K
1.0	XW2Z-100K
1.5	XW2Z-150K
2.0	XW2Z-200K
3.0	XW2Z-300K
5.0	XW2Z-500K

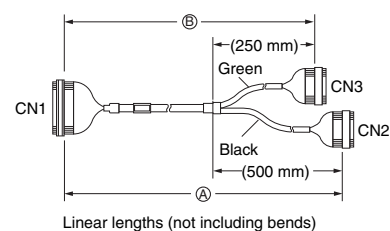
*Cable length L (m)



XW2Z-□□□N

Cable length L (m) *		Model
A	B	
1.0	0.75	XW2Z-100N
1.5	1.25	XW2Z-150N
2.0	1.75	XW2Z-200N
3.0	2.75	XW2Z-300N
5.0	4.75	XW2Z-500N
10.0	9.75	XW2Z-010N
15.0	14.75	XW2Z-15MN
20.0	19.75	XW2Z-20MN

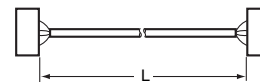
*Cable length L (m)



XW2Z-□□□X

Cable length L (m) *	Model
0.5	XW2Z-C50X
1.0	XW2Z-100X
2.0	XW2Z-200X
3.0	XW2Z-300X
5.0	XW2Z-500X
10.0	XW2Z-010X

*Cable length L (m)



Ratings and Specifications

Rated current	1 A
Rated voltage	125 VAC 24 VDC
Contact resistance	20 mΩ max. (at 20 mV, 100 mA max.) *1
Insulation resistance	100 MΩ min. (at 500 VDC)
Dielectric strength	500 VAC for 1 min (leakage current: 1 mA max.) *2
Ambient operating temperature	-25 to 80°C

*1. Contact resistance for the Connector.

*2. Dielectric strength for the Connector.

Materials and Finish

Item	Part name		Materials and Finish	
Connectors	XG4M-2030 XG4M-4030	Housing	Fiber-glass reinforced PBT resin (UL94V-0)/black	
		Cover		
		Contacts	Mating end	Phosphor bronze/nickel base, 0.15-μm gold plating
			Press-fit end	Phosphor bronze/nickel base, 2.0-μm tin plating
	XG4T-2004/4004	Strain Relief	Fiber-glass reinforced PBT resin (UL94V-0)/black	
	FCN-367J024-AU/F * FCN-367J040-AU/F	Housing	Polyester resin (UL94V-0)/black	
		Contacts	Mating end	Copper alloy/gold plated
Press-fit end			Copper alloy/tin plated	
	Connecting screw	Steel/nickel plated		
Cable	UL2464 Interface Cable		AWG28/Shielded	
Crimp terminal	Forked crimp terminal		1.25 Y AS 3.5 or the equivalent	

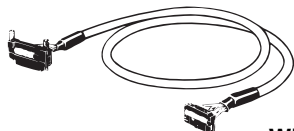
Note: These housings, contacts, and connecting screws are made by Fujitsu.

Appearance and Wiring Diagrams

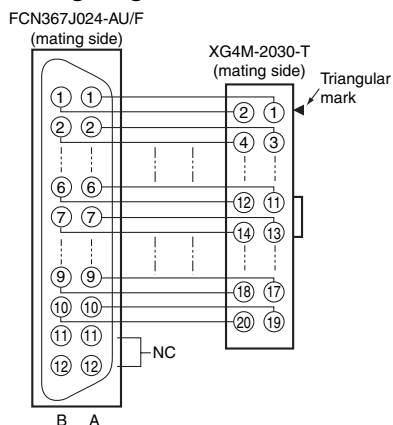
For 32-point, Connector-type I/O Units for Programmable Controllers

XW2Z-□□□A

(For XW2D-20G6/XW2B-20G□/-40G5-T/-20G5-D/
XW2C-20G5-IN16/20G6-IO16/XW2E-20G5-IN16/
XW2F-20G7-IN16/-OUT16/XW2N-20G8-IN16)

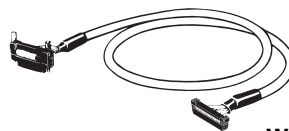


Wiring Diagram

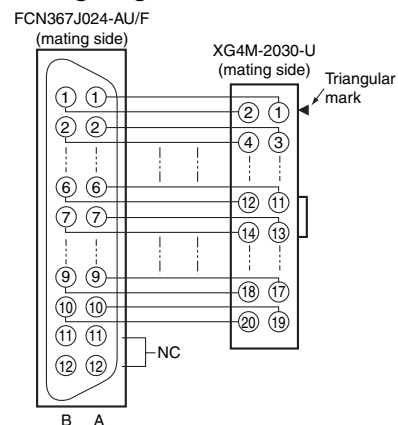


XW2Z-□□□AU

(For XW2D-20C6)

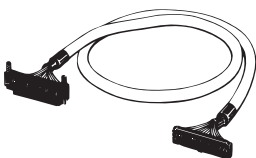


Wiring Diagram



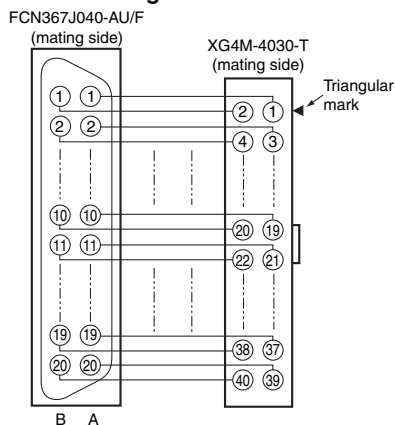
For 32-point, Connector-type I/O Units (Group 2) for Programmable Controllers For 64-point, Connector-type I/O Units for Programmable Controllers

XW2Z-□□□B (For XW2D-40G6/XW2B-40G□)

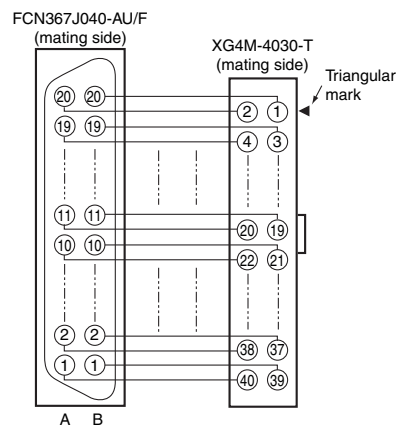


Wiring Diagram

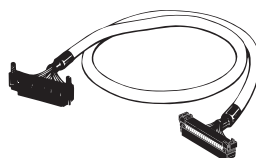
• Normal wiring



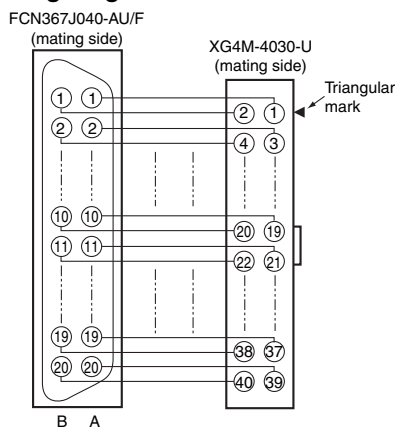
• Reverse wiring



XW2Z-□□□BU (For XW2D-40C6)

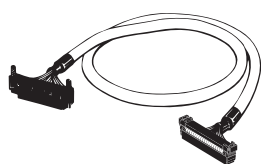


Wiring Diagram



XW2Z-□□□B-A (For XW2F-40G7-IN32)

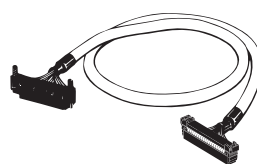
Wiring Diagram



FCN367J040-AU/F	XG4M-4030-T
B20	1
B19	2
B18	3
B17	5
B16	7
B15	9
B14	11
B13	13
B12	15
B11	17
B10	19
B9	4
B8	6
B7	8
B6	10
B5	12
B4	14
B3	16
B2	18
B1	20
A20	21
A19	22
A18	23
A17	25
A16	27
A15	29
A14	31
A13	33
A12	35
A11	37
A10	39
A9	24
A8	26
A7	28
A6	30
A5	32
A4	34
A3	36
A2	38
A1	40

XW2Z-□□□B-B (For XW2F-40G7-OUT32)

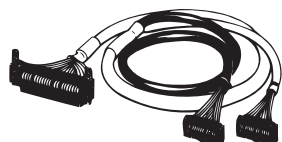
Wiring Diagram



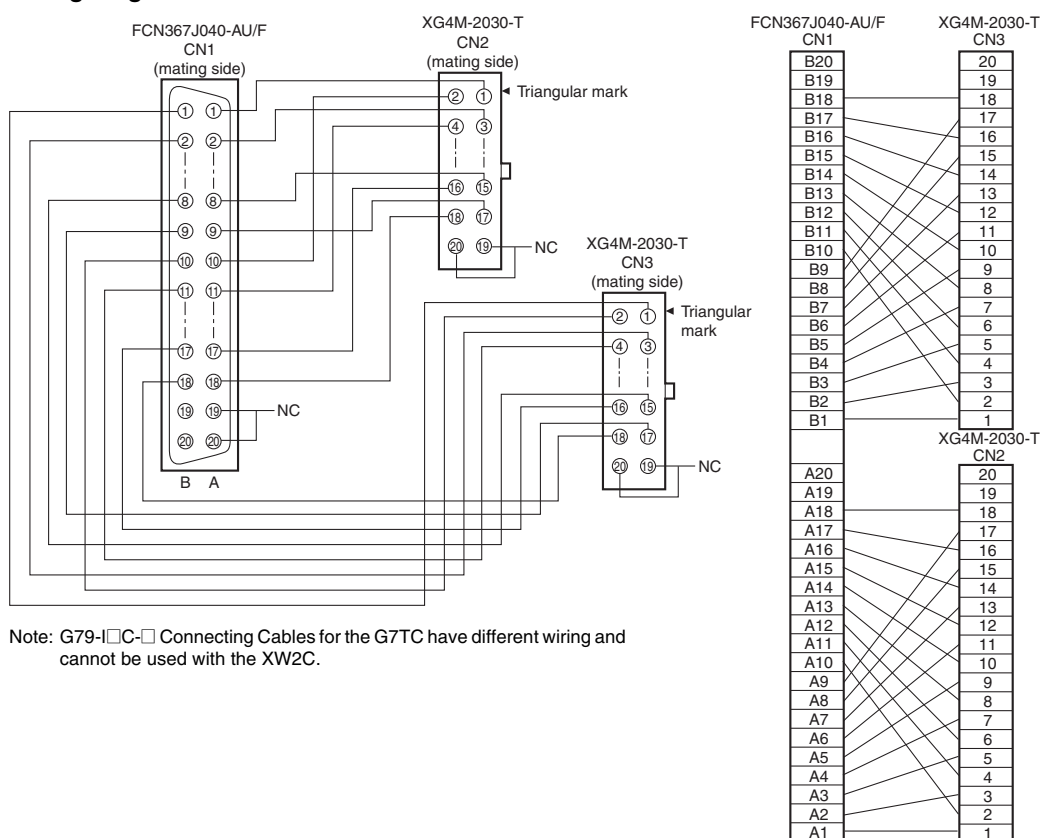
FCN367J040-AU/F	XG4M-4030-T
B20	1
B19	3
B18	5
B17	7
B16	9
B15	11
B14	13
B13	15
B12	17
B11	19
B10	2
B9	4
B8	6
B7	8
B6	10
B5	12
B4	14
B3	16
B2	18
B1	20
A20	21
A19	23
A18	25
A17	27
A16	29
A15	31
A14	33
A13	35
A12	37
A11	39
A10	22
A9	24
A8	26
A7	28
A6	30
A5	32
A4	34
A3	36
A2	38
A1	40

For 32-point, Connector-type Input Units (Group 2) for Programmable Controllers For 64-point, Connector-type Input Units for Programmable Controllers

XW2Z-□□□D



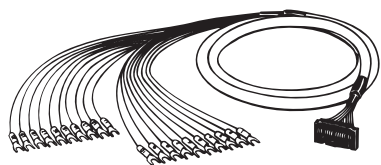
Wiring Diagram



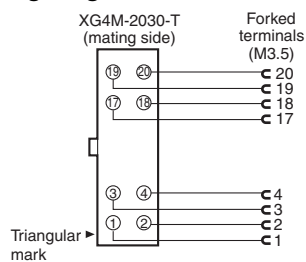
Note: G79-□□C-□ Connecting Cables for the G7TC have different wiring and cannot be used with the XW2C.

20-pole Cable with Discrete-wire Press-fit Terminals

XW2Z-□□□F



Wiring Diagram

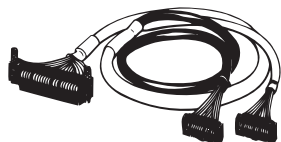


Connector Pin No. Table

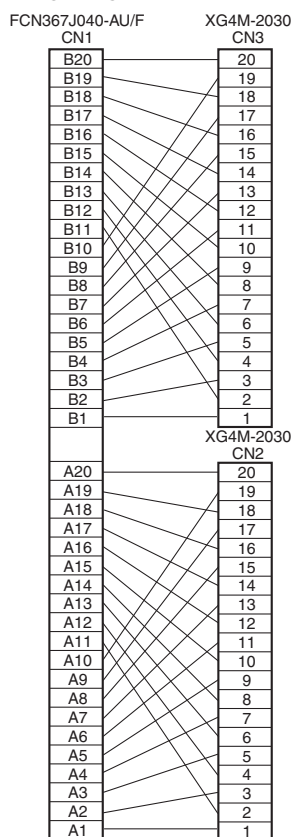
Forked terminal	No. of cores	Insulation color	Dot marks	Dot color	Connector pin No.
1	1	Blue	□	Red	1◁
2		Blue	□	Black	2
3	2	Pink	□	Red	3
4		Pink	□	Black	4
5	3	Green	□	Red	5
6		Green	□	Black	6
7	4	Orange	□	Red	7
8		Orange	□	Black	8
9	5	Gray	□	Red	9
10		Gray	□	Black	10
11	6	Blue	□□	Red	11
12		Blue	□□	Black	12
13	7	Pink	□□	Red	13
14		Pink	□□	Black	14
15	8	Green	□□	Red	15
16		Green	□□	Black	16
17	9	Orange	□□	Red	17
18		Orange	□□	Black	18
19	10	Gray	□□	Red	19
20		Gray	□□	Black	20

**For 32-point, Connector-type Output Units (Group 2) for Programmable Controllers
For 64-point, Connector-type Output Units for Programmable Controllers**

XW2Z-□□□L



Wiring Diagram



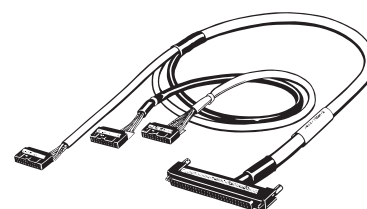
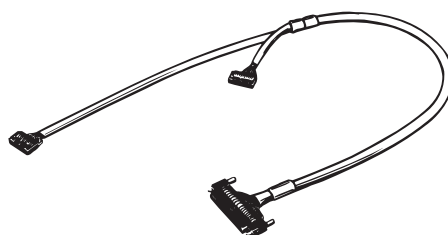
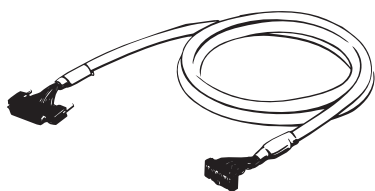
For 96-point, Connector-type I/O Units for Programmable Controllers

XW2Z-□□□H (For CS1-series I/O Unit Connection)

XW2Z-□□□H-1

XW2Z-□□□H-2

XW2Z-□□□H-3



I/O Signal Tables (Example Using CN1 on CS1W-OD291)

XW2Z-□□□H-□ Connecting Cables

XW2Z-□□□H-3	XW2□-20G□ <div style="display: flex; justify-content: space-around;"> <div style="text-align: center;"> <p>Word N (CN2)</p> <table border="1" style="margin: auto;"> <tr><td>0</td><td>1</td><td>2</td><td>3</td><td>4</td><td>5</td><td>6</td><td>7</td><td>COM</td><td>NC</td></tr> <tr><td>①</td><td>③</td><td>⑤</td><td>⑦</td><td>⑨</td><td>⑪</td><td>⑬</td><td>⑮</td><td>⑰</td><td>⑲</td></tr> <tr><td>②</td><td>④</td><td>⑥</td><td>⑧</td><td>⑩</td><td>⑫</td><td>⑭</td><td>⑯</td><td>⑱</td><td>⑳</td></tr> <tr><td>8</td><td>9</td><td>10</td><td>11</td><td>12</td><td>13</td><td>14</td><td>15</td><td>+V</td><td>NC</td></tr> </table> </div> <div style="text-align: center;"> <p>Word N+1 (CN3)</p> <table border="1" style="margin: auto;"> <tr><td>0</td><td>1</td><td>2</td><td>3</td><td>4</td><td>5</td><td>6</td><td>7</td><td>COM</td><td>NC</td></tr> <tr><td>①</td><td>③</td><td>⑤</td><td>⑦</td><td>⑨</td><td>⑪</td><td>⑬</td><td>⑮</td><td>⑰</td><td>⑲</td></tr> <tr><td>②</td><td>④</td><td>⑥</td><td>⑧</td><td>⑩</td><td>⑫</td><td>⑭</td><td>⑯</td><td>⑱</td><td>⑳</td></tr> <tr><td>8</td><td>9</td><td>10</td><td>11</td><td>12</td><td>13</td><td>14</td><td>15</td><td>+V</td><td>NC</td></tr> </table> </div> <div style="text-align: center;"> <p>Word N+2 (CN4)</p> <table border="1" style="margin: auto;"> <tr><td>0</td><td>1</td><td>2</td><td>3</td><td>4</td><td>5</td><td>6</td><td>7</td><td>COM</td><td>NC</td></tr> <tr><td>①</td><td>③</td><td>⑤</td><td>⑦</td><td>⑨</td><td>⑪</td><td>⑬</td><td>⑮</td><td>⑰</td><td>⑲</td></tr> <tr><td>②</td><td>④</td><td>⑥</td><td>⑧</td><td>⑩</td><td>⑫</td><td>⑭</td><td>⑯</td><td>⑱</td><td>⑳</td></tr> <tr><td>8</td><td>9</td><td>10</td><td>11</td><td>12</td><td>13</td><td>14</td><td>15</td><td>+V</td><td>NC</td></tr> </table> </div> </div>			0	1	2	3	4	5	6	7	COM	NC	①	③	⑤	⑦	⑨	⑪	⑬	⑮	⑰	⑲	②	④	⑥	⑧	⑩	⑫	⑭	⑯	⑱	⑳	8	9	10	11	12	13	14	15	+V	NC	0	1	2	3	4	5	6	7	COM	NC	①	③	⑤	⑦	⑨	⑪	⑬	⑮	⑰	⑲	②	④	⑥	⑧	⑩	⑫	⑭	⑯	⑱	⑳	8	9	10	11	12	13	14	15	+V	NC	0	1	2	3	4	5	6	7	COM	NC	①	③	⑤	⑦	⑨	⑪	⑬	⑮	⑰	⑲	②	④	⑥	⑧	⑩	⑫	⑭	⑯	⑱	⑳	8	9	10	11	12	13	14	15	+V	NC								
0	1	2	3	4	5	6	7	COM	NC																																																																																																																										
①	③	⑤	⑦	⑨	⑪	⑬	⑮	⑰	⑲																																																																																																																										
②	④	⑥	⑧	⑩	⑫	⑭	⑯	⑱	⑳																																																																																																																										
8	9	10	11	12	13	14	15	+V	NC																																																																																																																										
0	1	2	3	4	5	6	7	COM	NC																																																																																																																										
①	③	⑤	⑦	⑨	⑪	⑬	⑮	⑰	⑲																																																																																																																										
②	④	⑥	⑧	⑩	⑫	⑭	⑯	⑱	⑳																																																																																																																										
8	9	10	11	12	13	14	15	+V	NC																																																																																																																										
0	1	2	3	4	5	6	7	COM	NC																																																																																																																										
①	③	⑤	⑦	⑨	⑪	⑬	⑮	⑰	⑲																																																																																																																										
②	④	⑥	⑧	⑩	⑫	⑭	⑯	⑱	⑳																																																																																																																										
8	9	10	11	12	13	14	15	+V	NC																																																																																																																										
XW2Z-□□□H-2	XW2□-40G□ <div style="display: flex; justify-content: space-around;"> <div style="text-align: center;"> <p>Word N (CN2)</p> <table border="1" style="margin: auto;"> <tr><td>0</td><td>1</td><td>2</td><td>3</td><td>4</td><td>5</td><td>6</td><td>7</td><td>COM</td><td>NC</td></tr> <tr><td>①</td><td>③</td><td>⑤</td><td>⑦</td><td>⑨</td><td>⑪</td><td>⑬</td><td>⑮</td><td>⑰</td><td>⑲</td></tr> <tr><td>②</td><td>④</td><td>⑥</td><td>⑧</td><td>⑩</td><td>⑫</td><td>⑭</td><td>⑯</td><td>⑱</td><td>⑳</td></tr> <tr><td>8</td><td>9</td><td>10</td><td>11</td><td>12</td><td>13</td><td>14</td><td>15</td><td>+V</td><td>NC</td></tr> </table> </div> <div style="text-align: center;"> <p>Word N+1 (CN2)</p> <table border="1" style="margin: auto;"> <tr><td>0</td><td>1</td><td>2</td><td>3</td><td>4</td><td>5</td><td>6</td><td>7</td><td>COM</td><td>NC</td></tr> <tr><td>①</td><td>③</td><td>⑤</td><td>⑦</td><td>⑨</td><td>⑪</td><td>⑬</td><td>⑮</td><td>⑰</td><td>⑲</td></tr> <tr><td>②</td><td>④</td><td>⑥</td><td>⑧</td><td>⑩</td><td>⑫</td><td>⑭</td><td>⑯</td><td>⑱</td><td>⑳</td></tr> <tr><td>8</td><td>9</td><td>10</td><td>11</td><td>12</td><td>13</td><td>14</td><td>15</td><td>+V</td><td>NC</td></tr> </table> </div> </div>		0	1	2	3	4	5	6	7	COM	NC	①	③	⑤	⑦	⑨	⑪	⑬	⑮	⑰	⑲	②	④	⑥	⑧	⑩	⑫	⑭	⑯	⑱	⑳	8	9	10	11	12	13	14	15	+V	NC	0	1	2	3	4	5	6	7	COM	NC	①	③	⑤	⑦	⑨	⑪	⑬	⑮	⑰	⑲	②	④	⑥	⑧	⑩	⑫	⑭	⑯	⑱	⑳	8	9	10	11	12	13	14	15	+V	NC	XW2□-20G□ <div style="text-align: center;"> <p>Word N+2 (CN3)</p> <table border="1" style="margin: auto;"> <tr><td>0</td><td>1</td><td>2</td><td>3</td><td>4</td><td>5</td><td>6</td><td>7</td><td>COM</td><td>NC</td></tr> <tr><td>①</td><td>③</td><td>⑤</td><td>⑦</td><td>⑨</td><td>⑪</td><td>⑬</td><td>⑮</td><td>⑰</td><td>⑲</td></tr> <tr><td>②</td><td>④</td><td>⑥</td><td>⑧</td><td>⑩</td><td>⑫</td><td>⑭</td><td>⑯</td><td>⑱</td><td>⑳</td></tr> <tr><td>8</td><td>9</td><td>10</td><td>11</td><td>12</td><td>13</td><td>14</td><td>15</td><td>+V</td><td>NC</td></tr> </table> </div>	0	1	2	3	4	5	6	7	COM	NC	①	③	⑤	⑦	⑨	⑪	⑬	⑮	⑰	⑲	②	④	⑥	⑧	⑩	⑫	⑭	⑯	⑱	⑳	8	9	10	11	12	13	14	15	+V	NC								
0	1	2	3	4	5	6	7	COM	NC																																																																																																																										
①	③	⑤	⑦	⑨	⑪	⑬	⑮	⑰	⑲																																																																																																																										
②	④	⑥	⑧	⑩	⑫	⑭	⑯	⑱	⑳																																																																																																																										
8	9	10	11	12	13	14	15	+V	NC																																																																																																																										
0	1	2	3	4	5	6	7	COM	NC																																																																																																																										
①	③	⑤	⑦	⑨	⑪	⑬	⑮	⑰	⑲																																																																																																																										
②	④	⑥	⑧	⑩	⑫	⑭	⑯	⑱	⑳																																																																																																																										
8	9	10	11	12	13	14	15	+V	NC																																																																																																																										
0	1	2	3	4	5	6	7	COM	NC																																																																																																																										
①	③	⑤	⑦	⑨	⑪	⑬	⑮	⑰	⑲																																																																																																																										
②	④	⑥	⑧	⑩	⑫	⑭	⑯	⑱	⑳																																																																																																																										
8	9	10	11	12	13	14	15	+V	NC																																																																																																																										
XW2Z-□□□H-1	XW2B-60G□ <div style="display: flex; justify-content: space-around;"> <div style="text-align: center;"> <p>Word N (CN2)</p> <table border="1" style="margin: auto;"> <tr><td>0</td><td>1</td><td>2</td><td>3</td><td>4</td><td>5</td><td>6</td><td>7</td><td>COM</td><td>0</td></tr> <tr><td>①</td><td>③</td><td>⑤</td><td>⑦</td><td>⑨</td><td>⑪</td><td>⑬</td><td>⑮</td><td>⑰</td><td>⑲</td></tr> <tr><td>②</td><td>④</td><td>⑥</td><td>⑧</td><td>⑩</td><td>⑫</td><td>⑭</td><td>⑯</td><td>⑱</td><td>⑳</td></tr> <tr><td>8</td><td>9</td><td>10</td><td>11</td><td>12</td><td>13</td><td>14</td><td>15</td><td>+V</td><td>NC</td></tr> </table> </div> <div style="text-align: center;"> <p>Word N+1 (CN2)</p> <table border="1" style="margin: auto;"> <tr><td>0</td><td>1</td><td>2</td><td>3</td><td>4</td><td>5</td><td>6</td><td>7</td><td>COM</td><td>0</td></tr> <tr><td>①</td><td>③</td><td>⑤</td><td>⑦</td><td>⑨</td><td>⑪</td><td>⑬</td><td>⑮</td><td>⑰</td><td>⑲</td></tr> <tr><td>②</td><td>④</td><td>⑥</td><td>⑧</td><td>⑩</td><td>⑫</td><td>⑭</td><td>⑯</td><td>⑱</td><td>⑳</td></tr> <tr><td>8</td><td>9</td><td>10</td><td>11</td><td>12</td><td>13</td><td>14</td><td>15</td><td>+V</td><td>NC</td></tr> </table> </div> <div style="text-align: center;"> <p>Word N+2 (CN2)</p> <table border="1" style="margin: auto;"> <tr><td>0</td><td>1</td><td>2</td><td>3</td><td>4</td><td>5</td><td>6</td><td>7</td><td>COM</td><td>NC</td><td>NC</td><td>NC</td></tr> <tr><td>①</td><td>③</td><td>⑤</td><td>⑦</td><td>⑨</td><td>⑪</td><td>⑬</td><td>⑮</td><td>⑰</td><td>⑲</td><td>⑳</td><td>㉑</td></tr> <tr><td>②</td><td>④</td><td>⑥</td><td>⑧</td><td>⑩</td><td>⑫</td><td>⑭</td><td>⑯</td><td>⑱</td><td>⑳</td><td>㉒</td><td>㉓</td></tr> <tr><td>8</td><td>9</td><td>10</td><td>11</td><td>12</td><td>13</td><td>14</td><td>15</td><td>+V</td><td>NC</td><td>NC</td><td>NC</td></tr> </table> </div> </div>			0	1	2	3	4	5	6	7	COM	0	①	③	⑤	⑦	⑨	⑪	⑬	⑮	⑰	⑲	②	④	⑥	⑧	⑩	⑫	⑭	⑯	⑱	⑳	8	9	10	11	12	13	14	15	+V	NC	0	1	2	3	4	5	6	7	COM	0	①	③	⑤	⑦	⑨	⑪	⑬	⑮	⑰	⑲	②	④	⑥	⑧	⑩	⑫	⑭	⑯	⑱	⑳	8	9	10	11	12	13	14	15	+V	NC	0	1	2	3	4	5	6	7	COM	NC	NC	NC	①	③	⑤	⑦	⑨	⑪	⑬	⑮	⑰	⑲	⑳	㉑	②	④	⑥	⑧	⑩	⑫	⑭	⑯	⑱	⑳	㉒	㉓	8	9	10	11	12	13	14	15	+V	NC	NC	NC
0	1	2	3	4	5	6	7	COM	0																																																																																																																										
①	③	⑤	⑦	⑨	⑪	⑬	⑮	⑰	⑲																																																																																																																										
②	④	⑥	⑧	⑩	⑫	⑭	⑯	⑱	⑳																																																																																																																										
8	9	10	11	12	13	14	15	+V	NC																																																																																																																										
0	1	2	3	4	5	6	7	COM	0																																																																																																																										
①	③	⑤	⑦	⑨	⑪	⑬	⑮	⑰	⑲																																																																																																																										
②	④	⑥	⑧	⑩	⑫	⑭	⑯	⑱	⑳																																																																																																																										
8	9	10	11	12	13	14	15	+V	NC																																																																																																																										
0	1	2	3	4	5	6	7	COM	NC	NC	NC																																																																																																																								
①	③	⑤	⑦	⑨	⑪	⑬	⑮	⑰	⑲	⑳	㉑																																																																																																																								
②	④	⑥	⑧	⑩	⑫	⑭	⑯	⑱	⑳	㉒	㉓																																																																																																																								
8	9	10	11	12	13	14	15	+V	NC	NC	NC																																																																																																																								

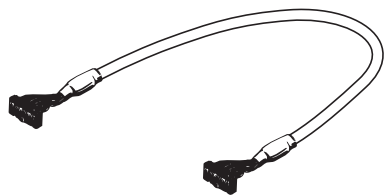
XW2Z-□□□H-□G/G79-□□□C-□□□-□□□ Connecting Cables

G79-□□□C-□□□□□□	XW2□-20G□ <div style="display: flex; justify-content: space-around;"> <div style="text-align: center;"> <p>Word N (CN2)</p> <table border="1" style="margin: auto;"> <tr><td>+V</td><td>NC</td><td>15</td><td>14</td><td>13</td><td>12</td><td>11</td><td>10</td><td>9</td><td>8</td></tr> <tr><td>①</td><td>③</td><td>⑤</td><td>⑦</td><td>⑨</td><td>⑪</td><td>⑬</td><td>⑮</td><td>⑰</td><td>⑲</td></tr> <tr><td>②</td><td>④</td><td>⑥</td><td>⑧</td><td>⑩</td><td>⑫</td><td>⑭</td><td>⑯</td><td>⑱</td><td>⑳</td></tr> <tr><td>NC</td><td>COM</td><td>7</td><td>6</td><td>5</td><td>4</td><td>3</td><td>2</td><td>1</td><td>0</td></tr> </table> </div> <div style="text-align: center;"> <p>Word N+1 (CN3)</p> <table border="1" style="margin: auto;"> <tr><td>+V</td><td>NC</td><td>15</td><td>14</td><td>13</td><td>12</td><td>11</td><td>10</td><td>9</td><td>8</td></tr> <tr><td>①</td><td>③</td><td>⑤</td><td>⑦</td><td>⑨</td><td>⑪</td><td>⑬</td><td>⑮</td><td>⑰</td><td>⑲</td></tr> <tr><td>②</td><td>④</td><td>⑥</td><td>⑧</td><td>⑩</td><td>⑫</td><td>⑭</td><td>⑯</td><td>⑱</td><td>⑳</td></tr> <tr><td>NC</td><td>COM</td><td>7</td><td>6</td><td>5</td><td>4</td><td>3</td><td>2</td><td>1</td><td>0</td></tr> </table> </div> <div style="text-align: center;"> <p>Word N+2 (CN4)</p> <table border="1" style="margin: auto;"> <tr><td>+V</td><td>NC</td><td>15</td><td>14</td><td>13</td><td>12</td><td>11</td><td>10</td><td>9</td><td>8</td></tr> <tr><td>①</td><td>③</td><td>⑤</td><td>⑦</td><td>⑨</td><td>⑪</td><td>⑬</td><td>⑮</td><td>⑰</td><td>⑲</td></tr> <tr><td>②</td><td>④</td><td>⑥</td><td>⑧</td><td>⑩</td><td>⑫</td><td>⑭</td><td>⑯</td><td>⑱</td><td>⑳</td></tr> <tr><td>NC</td><td>COM</td><td>7</td><td>6</td><td>5</td><td>4</td><td>3</td><td>2</td><td>1</td><td>0</td></tr> </table> </div> </div>			+V	NC	15	14	13	12	11	10	9	8	①	③	⑤	⑦	⑨	⑪	⑬	⑮	⑰	⑲	②	④	⑥	⑧	⑩	⑫	⑭	⑯	⑱	⑳	NC	COM	7	6	5	4	3	2	1	0	+V	NC	15	14	13	12	11	10	9	8	①	③	⑤	⑦	⑨	⑪	⑬	⑮	⑰	⑲	②	④	⑥	⑧	⑩	⑫	⑭	⑯	⑱	⑳	NC	COM	7	6	5	4	3	2	1	0	+V	NC	15	14	13	12	11	10	9	8	①	③	⑤	⑦	⑨	⑪	⑬	⑮	⑰	⑲	②	④	⑥	⑧	⑩	⑫	⑭	⑯	⑱	⑳	NC	COM	7	6	5	4	3	2	1	0
+V	NC	15	14	13	12	11	10	9	8																																																																																																																		
①	③	⑤	⑦	⑨	⑪	⑬	⑮	⑰	⑲																																																																																																																		
②	④	⑥	⑧	⑩	⑫	⑭	⑯	⑱	⑳																																																																																																																		
NC	COM	7	6	5	4	3	2	1	0																																																																																																																		
+V	NC	15	14	13	12	11	10	9	8																																																																																																																		
①	③	⑤	⑦	⑨	⑪	⑬	⑮	⑰	⑲																																																																																																																		
②	④	⑥	⑧	⑩	⑫	⑭	⑯	⑱	⑳																																																																																																																		
NC	COM	7	6	5	4	3	2	1	0																																																																																																																		
+V	NC	15	14	13	12	11	10	9	8																																																																																																																		
①	③	⑤	⑦	⑨	⑪	⑬	⑮	⑰	⑲																																																																																																																		
②	④	⑥	⑧	⑩	⑫	⑭	⑯	⑱	⑳																																																																																																																		
NC	COM	7	6	5	4	3	2	1	0																																																																																																																		
XW2Z-□□□H-2G	XW2□-40G□ <div style="display: flex; justify-content: space-around;"> <div style="text-align: center;"> <p>Word N (CN2)</p> <table border="1" style="margin: auto;"> <tr><td>+V</td><td>NC</td><td>15</td><td>14</td><td>13</td><td>12</td><td>11</td><td>10</td><td>9</td><td>8</td></tr> <tr><td>①</td><td>③</td><td>⑤</td><td>⑦</td><td>⑨</td><td>⑪</td><td>⑬</td><td>⑮</td><td>⑰</td><td>⑲</td></tr> <tr><td>②</td><td>④</td><td>⑥</td><td>⑧</td><td>⑩</td><td>⑫</td><td>⑭</td><td>⑯</td><td>⑱</td><td>⑳</td></tr> <tr><td>NC</td><td>COM</td><td>7</td><td>6</td><td>5</td><td>4</td><td>3</td><td>2</td><td>1</td><td>0</td></tr> </table> </div> <div style="text-align: center;"> <p>Word N+1 (CN2)</p> <table border="1" style="margin: auto;"> <tr><td>+V</td><td>NC</td><td>15</td><td>14</td><td>13</td><td>12</td><td>11</td><td>10</td><td>9</td><td>8</td></tr> <tr><td>①</td><td>③</td><td>⑤</td><td>⑦</td><td>⑨</td><td>⑪</td><td>⑬</td><td>⑮</td><td>⑰</td><td>⑲</td></tr> <tr><td>②</td><td>④</td><td>⑥</td><td>⑧</td><td>⑩</td><td>⑫</td><td>⑭</td><td>⑯</td><td>⑱</td><td>⑳</td></tr> <tr><td>NC</td><td>COM</td><td>7</td><td>6</td><td>5</td><td>4</td><td>3</td><td>2</td><td>1</td><td>0</td></tr> </table> </div> </div>		+V	NC	15	14	13	12	11	10	9	8	①	③	⑤	⑦	⑨	⑪	⑬	⑮	⑰	⑲	②	④	⑥	⑧	⑩	⑫	⑭	⑯	⑱	⑳	NC	COM	7	6	5	4	3	2	1	0	+V	NC	15	14	13	12	11	10	9	8	①	③	⑤	⑦	⑨	⑪	⑬	⑮	⑰	⑲	②	④	⑥	⑧	⑩	⑫	⑭	⑯	⑱	⑳	NC	COM	7	6	5	4	3	2	1	0	XW2□-20G□ <div style="text-align: center;"> <p>Word N+2 (CN3)</p> <table border="1" style="margin: auto;"> <tr><td>+V</td><td>NC</td><td>15</td><td>14</td><td>13</td><td>12</td><td>11</td><td>10</td><td>9</td><td>8</td></tr> <tr><td>①</td><td>③</td><td>⑤</td><td>⑦</td><td>⑨</td><td>⑪</td><td>⑬</td><td>⑮</td><td>⑰</td><td>⑲</td></tr> <tr><td>②</td><td>④</td><td>⑥</td><td>⑧</td><td>⑩</td><td>⑫</td><td>⑭</td><td>⑯</td><td>⑱</td><td>⑳</td></tr> <tr><td>NC</td><td>COM</td><td>7</td><td>6</td><td>5</td><td>4</td><td>3</td><td>2</td><td>1</td><td>0</td></tr> </table> </div>	+V	NC	15	14	13	12	11	10	9	8	①	③	⑤	⑦	⑨	⑪	⑬	⑮	⑰	⑲	②	④	⑥	⑧	⑩	⑫	⑭	⑯	⑱	⑳	NC	COM	7	6	5	4	3	2	1	0
+V	NC	15	14	13	12	11	10	9	8																																																																																																																		
①	③	⑤	⑦	⑨	⑪	⑬	⑮	⑰	⑲																																																																																																																		
②	④	⑥	⑧	⑩	⑫	⑭	⑯	⑱	⑳																																																																																																																		
NC	COM	7	6	5	4	3	2	1	0																																																																																																																		
+V	NC	15	14	13	12	11	10	9	8																																																																																																																		
①	③	⑤	⑦	⑨	⑪	⑬	⑮	⑰	⑲																																																																																																																		
②	④	⑥	⑧	⑩	⑫	⑭	⑯	⑱	⑳																																																																																																																		
NC	COM	7	6	5	4	3	2	1	0																																																																																																																		
+V	NC	15	14	13	12	11	10	9	8																																																																																																																		
①	③	⑤	⑦	⑨	⑪	⑬	⑮	⑰	⑲																																																																																																																		
②	④	⑥	⑧	⑩	⑫	⑭	⑯	⑱	⑳																																																																																																																		
NC	COM	7	6	5	4	3	2	1	0																																																																																																																		
XW2Z-□□□H-1G	XW2B-60G□ <div style="display: flex; justify-content: space-around;"> <div style="text-align: center;"> <p>Word N (CN2)</p> <table border="1" style="margin: auto;"> <tr><td>+V</td><td>NC</td><td>15</td><td>14</td><td>13</td><td>12</td><td>11</td><td>10</td><td>9</td><td>8</td></tr> <tr><td>①</td><td>③</td><td>⑤</td><td>⑦</td><td>⑨</td><td>⑪</td><td>⑬</td><td>⑮</td><td>⑰</td><td>⑲</td></tr> <tr><td>②</td><td>④</td><td>⑥</td><td>⑧</td><td>⑩</td><td>⑫</td><td>⑭</td><td>⑯</td><td>⑱</td><td>⑳</td></tr> <tr><td>NC</td><td>COM</td><td>7</td><td>6</td><td>5</td><td>4</td><td>3</td><td>2</td><td>1</td><td>0</td></tr> </table> </div> <div style="text-align: center;"> <p>Word N+1 (CN2)</p> <table border="1" style="margin: auto;"> <tr><td>+V</td><td>NC</td><td>15</td><td>14</td><td>13</td><td>12</td><td>11</td><td>10</td><td>9</td><td>8</td></tr> <tr><td>①</td><td>③</td><td>⑤</td><td>⑦</td><td>⑨</td><td>⑪</td><td>⑬</td><td>⑮</td><td>⑰</td><td>⑲</td></tr> <tr><td>②</td><td>④</td><td>⑥</td><td>⑧</td><td>⑩</td><td>⑫</td><td>⑭</td><td>⑯</td><td>⑱</td><td>⑳</td></tr> <tr><td>NC</td><td>COM</td><td>7</td><td>6</td><td>5</td><td>4</td><td>3</td><td>2</td><td>1</td><td>0</td></tr> </table> </div> <div style="text-align: center;"> <p>Word N+2 (CN2)</p> <table border="1" style="margin: auto;"> <tr><td>+V</td><td>NC</td><td>15</td><td>14</td><td>13</td><td>12</td><td>11</td><td>10</td><td>9</td><td>8</td></tr> <tr><td>①</td><td>③</td><td>⑤</td><td>⑦</td><td>⑨</td><td>⑪</td><td>⑬</td><td>⑮</td><td>⑰</td><td>⑲</td></tr> <tr><td>②</td><td>④</td><td>⑥</td><td>⑧</td><td>⑩</td><td>⑫</td><td>⑭</td><td>⑯</td><td>⑱</td><td>⑳</td></tr> <tr><td>NC</td><td>COM</td><td>7</td><td>6</td><td>5</td><td>4</td><td>3</td><td>2</td><td>1</td><td>0</td></tr> </table> </div> </div>			+V	NC	15	14	13	12	11	10	9	8	①	③	⑤	⑦	⑨	⑪	⑬	⑮	⑰	⑲	②	④	⑥	⑧	⑩	⑫	⑭	⑯	⑱	⑳	NC	COM	7	6	5	4	3	2	1	0	+V	NC	15	14	13	12	11	10	9	8	①	③	⑤	⑦	⑨	⑪	⑬	⑮	⑰	⑲	②	④	⑥	⑧	⑩	⑫	⑭	⑯	⑱	⑳	NC	COM	7	6	5	4	3	2	1	0	+V	NC	15	14	13	12	11	10	9	8	①	③	⑤	⑦	⑨	⑪	⑬	⑮	⑰	⑲	②	④	⑥	⑧	⑩	⑫	⑭	⑯	⑱	⑳	NC	COM	7	6	5	4	3	2	1	0
+V	NC	15	14	13	12	11	10	9	8																																																																																																																		
①	③	⑤	⑦	⑨	⑪	⑬	⑮	⑰	⑲																																																																																																																		
②	④	⑥	⑧	⑩	⑫	⑭	⑯	⑱	⑳																																																																																																																		
NC	COM	7	6	5	4	3	2	1	0																																																																																																																		
+V	NC	15	14	13	12	11	10	9	8																																																																																																																		
①	③	⑤	⑦	⑨	⑪	⑬	⑮	⑰	⑲																																																																																																																		
②	④	⑥	⑧	⑩	⑫	⑭	⑯	⑱	⑳																																																																																																																		
NC	COM	7	6	5	4	3	2	1	0																																																																																																																		
+V	NC	15	14	13	12	11	10	9	8																																																																																																																		
①	③	⑤	⑦	⑨	⑪	⑬	⑮	⑰	⑲																																																																																																																		
②	④	⑥	⑧	⑩	⑫	⑭	⑯	⑱	⑳																																																																																																																		
NC	COM	7	6	5	4	3	2	1	0																																																																																																																		

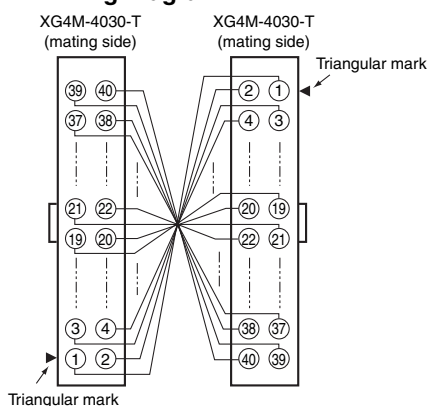
Note: The XW2Z-□□□H-□G I/O signal arrangement is oriented the same as the Connector Cable for the G79 I/O Relay Terminal.

For 32-point, MIL Connector-type I/O Units for Programmable Controllers

XW2Z-□□□K



Wiring Diagram

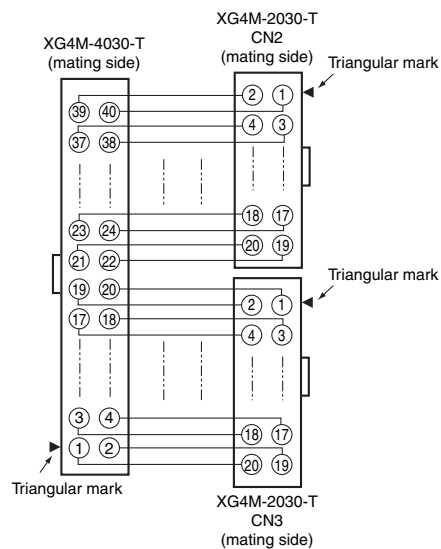


Note: Connector pins are connected 1-to-1 so that pin numbers correspond.

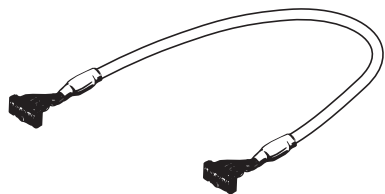
XW2Z-□□□N



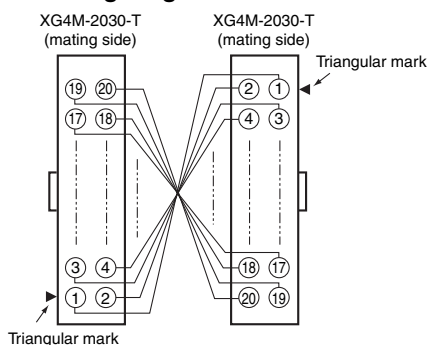
Wiring Diagram



XW2Z-□□□X



Wiring Diagram



Note: Connector pins are connected 1-to-1 so that pin numbers correspond.

Terms and Conditions Agreement

Read and understand this catalog.

Please read and understand this catalog before purchasing the products. Please consult your OMRON representative if you have any questions or comments.

Warranties.

(a) Exclusive Warranty. Omron's exclusive warranty is that the Products will be free from defects in materials and workmanship for a period of twelve months from the date of sale by Omron (or such other period expressed in writing by Omron). Omron disclaims all other warranties, express or implied.

(b) Limitations. OMRON MAKES NO WARRANTY OR REPRESENTATION, EXPRESS OR IMPLIED, ABOUT NON-INFRINGEMENT, MERCHANTABILITY OR FITNESS FOR A PARTICULAR PURPOSE OF THE PRODUCTS. BUYER ACKNOWLEDGES THAT IT ALONE HAS DETERMINED THAT THE PRODUCTS WILL SUITABLY MEET THE REQUIREMENTS OF THEIR INTENDED USE.

Omron further disclaims all warranties and responsibility of any type for claims or expenses based on infringement by the Products or otherwise of any intellectual property right. (c) Buyer Remedy. Omron's sole obligation hereunder shall be, at Omron's election, to (i) replace (in the form originally shipped with Buyer responsible for labor charges for removal or replacement thereof) the non-complying Product, (ii) repair the non-complying Product, or (iii) repay or credit Buyer an amount equal to the purchase price of the non-complying Product; provided that in no event shall Omron be responsible for warranty, repair, indemnity or any other claims or expenses regarding the Products unless Omron's analysis confirms that the Products were properly handled, stored, installed and maintained and not subject to contamination, abuse, misuse or inappropriate modification. Return of any Products by Buyer must be approved in writing by Omron before shipment. Omron Companies shall not be liable for the suitability or unsuitability or the results from the use of Products in combination with any electrical or electronic components, circuits, system assemblies or any other materials or substances or environments. Any advice, recommendations or information given orally or in writing, are not to be construed as an amendment or addition to the above warranty.

See <http://www.omron.com/global/> or contact your Omron representative for published information.

Limitation on Liability; Etc.

OMRON COMPANIES SHALL NOT BE LIABLE FOR SPECIAL, INDIRECT, INCIDENTAL, OR CONSEQUENTIAL DAMAGES, LOSS OF PROFITS OR PRODUCTION OR COMMERCIAL LOSS IN ANY WAY CONNECTED WITH THE PRODUCTS, WHETHER SUCH CLAIM IS BASED IN CONTRACT, WARRANTY, NEGLIGENCE OR STRICT LIABILITY.

Further, in no event shall liability of Omron Companies exceed the individual price of the Product on which liability is asserted.

Suitability of Use.

Omron Companies shall not be responsible for conformity with any standards, codes or regulations which apply to the combination of the Product in the Buyer's application or use of the Product. At Buyer's request, Omron will provide applicable third party certification documents identifying ratings and limitations of use which apply to the Product. This information by itself is not sufficient for a complete determination of the suitability of the Product in combination with the end product, machine, system, or other application or use. Buyer shall be solely responsible for determining appropriateness of the particular Product with respect to Buyer's application, product or system. Buyer shall take application responsibility in all cases.

NEVER USE THE PRODUCT FOR AN APPLICATION INVOLVING SERIOUS RISK TO LIFE OR PROPERTY OR IN LARGE QUANTITIES WITHOUT ENSURING THAT THE SYSTEM AS A WHOLE HAS BEEN DESIGNED TO ADDRESS THE RISKS, AND THAT THE OMRON PRODUCT(S) IS PROPERLY RATED AND INSTALLED FOR THE INTENDED USE WITHIN THE OVERALL EQUIPMENT OR SYSTEM.

Programmable Products.

Omron Companies shall not be responsible for the user's programming of a programmable Product, or any consequence thereof.

Performance Data.

Data presented in Omron Company websites, catalogs and other materials is provided as a guide for the user in determining suitability and does not constitute a warranty. It may represent the result of Omron's test conditions, and the user must correlate it to actual application requirements. Actual performance is subject to the Omron's Warranty and Limitations of Liability.

Change in Specifications.

Product specifications and accessories may be changed at any time based on improvements and other reasons. It is our practice to change part numbers when published ratings or features are changed, or when significant construction changes are made. However, some specifications of the Product may be changed without any notice. When in doubt, special part numbers may be assigned to fix or establish key specifications for your application. Please consult with your Omron's representative at any time to confirm actual specifications of purchased Product.

Errors and Omissions.

Information presented by Omron Companies has been checked and is believed to be accurate; however, no responsibility is assumed for clerical, typographical or proofreading errors or omissions.